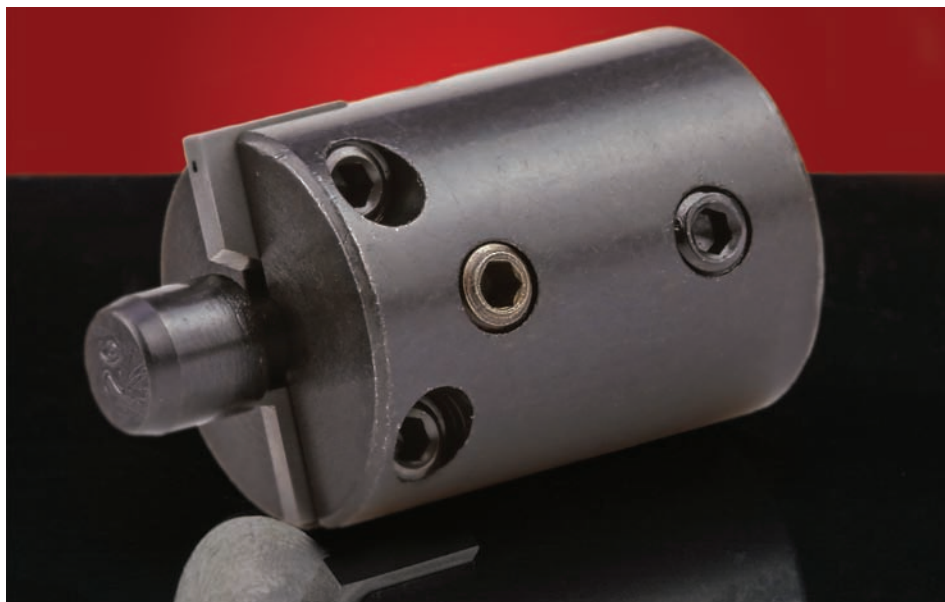


# FORSTER PRODUCTS

## 3-in-1 Carbide Case Mouth Cutter for a Hand Case Trimmer

*Trims case to length and chamfers inside and outside in one step!*



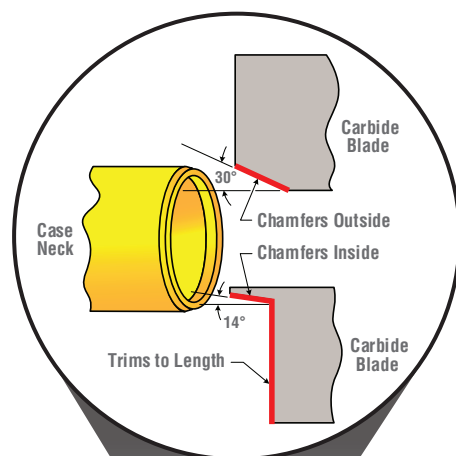
Forster Products' **3-in-1 Case Mouth Cutter** is the first carbide case trimmer accessory that performs three functions simultaneously. In one simple step, this product:

- Trims the case to length
- Chamfers the inside case mouth to an angle of 14°
- Chamfers the outside case mouth to an angle of 30°

To further save you time, the **3-in-1 Case Mouth Cutter** is the first cutter to employ high-quality blades made from US-manufactured carbide. They should never need sharpening if used exclusively on brass cases. The carbide cutter blades are factory adjusted on the blade holder to ensure precise cutting.

Available in seven caliber choices: (includes Pilot)

| Order Number | Description                                      |
|--------------|--|
| 3CUT-224     | 3-in-1 Case Mouth Cutter for caliber 224         |
| 3CUT-243     | 3-in-1 Case Mouth Cutter for caliber 243 (6mm)   |
| 3CUT-257     | 3-in-1 Case Mouth Cutter for caliber 257         |
| 3CUT-264     | 3-in-1 Case Mouth Cutter for caliber 264 (6.5mm) |
| 3CUT-277     | 3-in-1 Case Mouth Cutter for caliber 277         |
| 3CUT-284     | 3-in-1 Case Mouth Cutter for caliber 284 (7mm)   |
| 3CUT-308     | 3-in-1 Case Mouth Cutter for caliber 308         |



Forster Products' **3-in-1 Case Mouth Cutter** installs as easy as 1-2-3 on your Original Case Trimmer or Power Case Trimmer. It slides over the cutter shaft and secures with just one set screw.

**Our product saves time, improves consistency, and should never need sharpening!**

**Straight shooters.**

# More quality accessories for demanding shooters

The **3-in-1 Case Mouth Cutter** is our leading-edge Case Trimmer accessory. We also have a broad array of additional products sure to expand your capabilities as a reloader.

Take a look at our additional Case Trimmer accessories, all designed with our reliable focus on quality, precision, and consistency.

| Forster Accessory <sup>1</sup>   | Function   |  |
|--|--|--|
| <b>1 Primer Pocket Cleaner</b><br>(PPC175: for .175" primer pockets)<br>(PPC210: for .210" primer pockets)   | Removes primer and powder residue in brass cases after each firing to ensure proper primer seating. Used with the <b>Primer Pocket Center (PPCE02)</b> .                                 |  |
| <b>2 Outside Neck Turner</b><br>(OT1010)   | Removes excess brass from the outside neck wall. When used after sizing, this process produces a neck wall with an even thickness.   |  |
| <b>3 Neck Reamer</b><br>(NR1###)<br>(Order by bullet diameter.)  | Removes excess brass from the inside case neck wall. (Used before sizing.)   |  |
| <b>4 Universal Hollow Pointer</b><br>(HP1016: 1/16", for rifle rounds)<br>(HP1008: 1/8", for handgun rounds)   | Hollow points most calibers of rifle and pistol cartridges in 1/16" and 1/8" size drills. Long and short case trimmer bases are available for hollow pointing long and short cartridges. |  |
| <b>5 3-in-1 Case Mouth Cutter<sup>2</sup></b><br>(3CUT-224: 224 pilot)<br>(3CUT-243: 243 pilot)<br>(3CUT-257: 257 pilot)<br>(3CUT-264: 264 pilot)<br>(3CUT-277: 277 pilot)<br>(3CUT-284: 284 pilot)<br>(3CUT-308: 308 pilot) | Chamfers case mouth inside and outside, and trims case to length, all in one step.   |  |
| <b>6 Primer Pocket Chamfering Tool</b><br>(PPCT01)   | Chamfers military primer pockets, removing most, if not all, the crimp from military cases. Used with the <b>Primer Pocket Center (PPCE02)</b> .   |  |
|  |  | The <b>Case Trimmer Power Adapter (PA1000)</b> allows your case trimmer to be powered by your electric screwdriver or power drill. |

1. All Case Trimmer Accessories may be used on the Forster Original, Power and Classic Case Trimmers, except the 3-in-1 Case Mouth Cutter and the Outside Neck Turner, which may be used only on the Original and Power Case Trimmers. Depending on the case length, the Long Case Trimmer Base (CT1010-CTB103) may be required for use on the Original Case Trimmer.
2. Pilot size indicates bullet diameter.

## How to Purchase

Forster Products manufactures a broad line of precision gunsmithing and reloading products.

For best prices, contact one of our Forster Products Distributors. Their experience is an integral part of the shooting sports. To find your closest Distributor, please go to our Web site.

If your Distributor cannot supply you, contact us at

**815-493-6360** or **forsterproducts.com**

For complete User Instructions, go to our PDF Library under RESOURCES on our Web site.

### Forster Products

310 East Lanark Avenue  
Lanark, Illinois 61046  
P: 815-493-6360  
F: 815-493-2371  
**forsterproducts.com**

### WARRANTY

All Forster Products are warranted against defects in materials and workmanship for the life of the product. Parts which, by nature of their function, are subject to normal wear (such as springs, pins, etc.) and parts which have been altered, abused or neglected, are excluded from the warranty. If the product is deemed defective by workmanship or materials, it will be repaired, reconditioned or replaced (at Forster's option). This warranty supersedes all other warranties for Forster Products whether written or oral.

ISO 9001: 2015 accredited