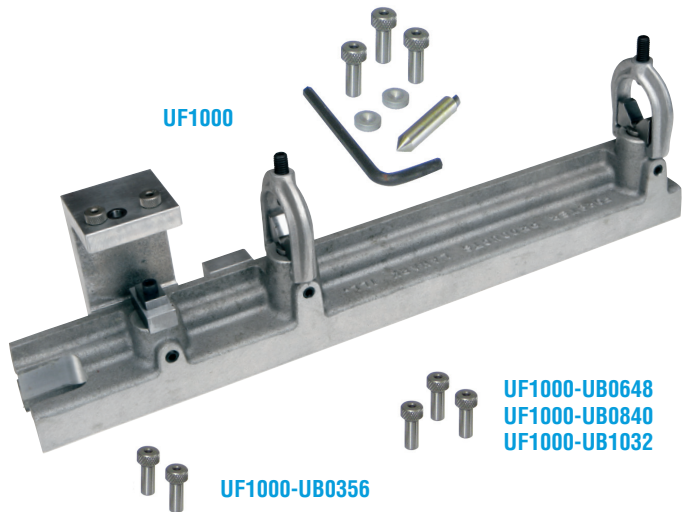


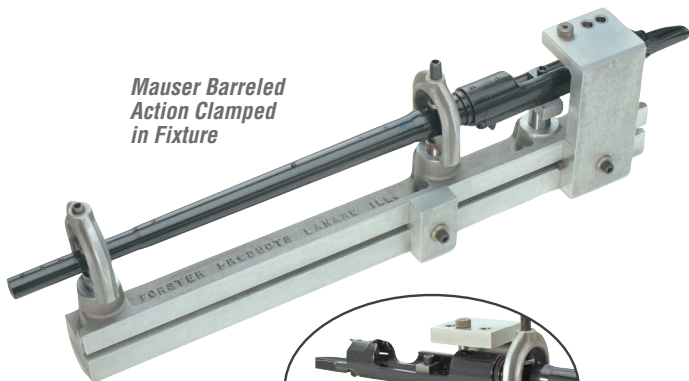
Gunsmithing Tools

Universal Sight Mounting Fixture

Guarantees true spacing and alignment of scope mount, receiver sight and shotgun bead holes.



*Mauser Barreled
Action Clamped
in Fixture*



*Mauser Action
Ready to Be Drilled*

Features

- Precision machining from solid aluminum casting ensures all components are perfectly aligned.
- Accommodates any single barrel long gun including bolt actions, lever actions, and pump actions, as long as the barrel can be laid into the fixture's "V" blocks. The two hardened steel "V" blocks are accurately ground on the "V" as well as the shaft and are independently adjustable for height.
- Movable fixture arm locates the holes to a standard spacing determined by the over-arm, which has standard, built-in spacing increments of .500" and .860" between centers.
- Nonstandard spacing is also possible by sliding the over-arm in either direction. The over-arm is "keyed" and slides in a "T" slot. It's always in true alignment with the exact center of the gun barrel.
- Stop block provides infinite spacing.
- Drill "runout" is minimized because the drill is guided in a hardened and ground drill bushing. When you're ready to tap the hole, another bushing of the correct size is substituted for the drill bushing to help guide the tap straight and true. This prevents tap breakage.

Order No.	Description
UF1000	Universal Sight Mounting Fixture with 6-48 Bushing Set (see Order No. UF1000-UB0648 for sizes)
UF1000-UB0356	3-56 Bushing Set (2 Bushings), Marked #45 (drill), #36 (tap)
UF1000-UB0648	6-48 Bushing Set (3 Bushings), Marked #7/64 (pre-drill), #31 (drill), #27 (tap)
UF1000-UB0840	8-40 Bushing Set (3 Bushings), Marked #30 (pre-drill), #28 (drill), #18 (tap)
UF1000-UB1032	10-32 Bushing Set (3 Bushings), Marked #25 (pre-drill), #21 (drill), #9 (tap)

Web



Go to our Video Library to view our Universal Sight Mounting Fixture video.



310 East Lanark Avenue
Lanark, Illinois 61046
P: 815-493-6360 • F: 815-493-2371
forsterproducts.com

WARRANTY

All Forster Products are warranted against defects in materials and workmanship for the life of the product. Parts which, by nature of their function, are subject to normal wear (such as springs, pins, etc.) and parts which have been altered, abused or neglected, are excluded from the warranty. If the product is deemed defective by workmanship or materials, it will be repaired, reconditioned or replaced (at Forster's option). This warranty supersedes all other warranties for Forster Products whether written or oral.