

Forster Bench Rest® Neck Sizing Dies



Neck Sizers – Forster Products Part Numbers

Caliber/Cartridge	Neck Sizing Die
22–250 Rem	006431
220 Swift	006421
222 Rem	006391
223 Rem	006411
223 WSSM	006418
243 Win	006441
243 WSSM	006448
6mm BR	006451
6mm PPC Sako U.S.A.	006461
6mm Rem (244)	006471
25–06 Rem	006491
257 Roberts	006501
6.5 x 55 Swed/SKAN	028961
270 Win	006531
270 WSM	006541
7mm–08	024021
7mm BR Rem	018251
7mm WSM	006566
280 Rem	006581
30–06	006631
300 Win Mag	006641
300 WSM	006651
308 Win	006621
338 Win Mag	006711



**Bench Rest
Neck Sizing Die**

Decapping Unit

DIESZRDCUNXXX
(Specify Caliber from Chart)



Decapping Unit* Complete Assemblies

Caliber/Cartridge	Decapping Unit Part Numbers
22–250 Rem	DIESZRDCUN22250
220 Swift	DIESZRDCUN220SW
222 Rem	DIESZRDCUN222R
223 Rem	DIESZRDCUN223R
223 WSSM	DIESZRDCUN223WSSM
243 Win	DIESZRDCUN243WIN
243 WSSM	DIESZRDCUN243WSSM
6mm BR	DIESZRDCUN6MMBRRM
6mm PPC Sako U.S.A.	DIESZRDCUN6MMPPC
6mm Rem (244)	DIESZRDCUN6MM244
25–06 Rem	DIESZRDCUN25/06
257 Roberts	DIESZRDCUN257ROB
6.5 x 55 Swed/SKAN	DIESZRDCUN6.5X55S
270 Win	DIESZRDCUN270WIN
270 WSM	DIESZRDCUN270WSM
7mm–08	DIESZRDCUN7MM-08
7mm BR Rem	DIESZRDCUN7MMBRR
7mm WSM	DIESZRDCUN7MMWSM
280 Rem	DIESZRDCUN280REM
30–06	DIESZRDCUN30-06
300 Win Mag	DIESZRDCUN300WINM
300 WSM	DIESZRDCUN300WSM
308 Win	DIESZRDCUN308WIN
338 Win Mag	DIESZRDCUN338WINM

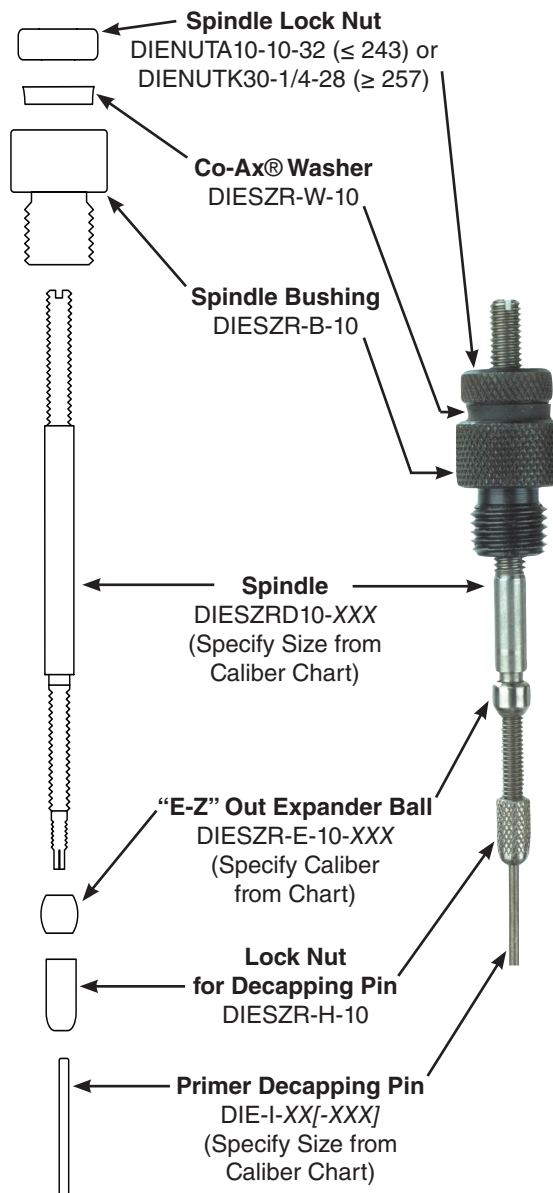
* This component also applies to Full Length Sizing Dies, according to caliber.
Not interchangeable with the Decapping Unit for the Bushing Bump Neck Sizing Die.

Forster Bench Rest® Neck Sizing Dies

Decapping Unit Replacement Parts and Compatibility

Caliber/Cartridge	Decapping Pin (I)	Spindle (D-10)	Expander (E-10)
22-250 Rem	Long DIE-I-L	4 DIESZRD10-04	224 DIESZR-E-10-224
220 Swift	Long DIE-I-L	8 DIESZRD10-08	224 DIESZR-E-10-224
222 Rem	Short DIE-I-SH	3 DIESZRD10-03	224 DIESZR-E-10-224
223 Rem	Long DIE-I-L	3 DIESZRD10-03	224 DIESZR-E-10-224
223 WSSM	Long DIE-I-L	1 DIESZRD10-01	224 DIESZR-E-10-224
243 Win	Long DIE-I-L	4 DIESZRD10-04	243 DIESZR-E-10-243
243 WSSM	Long DIE-I-L	1 DIESZRD10-01	243 DIESZR-E-10-243
6mm BR	Long Spcl DIE-I-L-SPCL	1 DIESZRD10-01	243 DIESZR-E-10-243
6mm PPC	Long Spcl DIE-I-L-SPCL	1 DIESZRD10-01	243 DIESZR-E-10-243
6mm Rem (244)	Short DIE-I-SH	8 DIESZRD10-08	243 DIESZR-E-10-243
25-06 Rem	Long DIE-I-L	8 DIESZRD10-08	257 DIESZR-E-10-257
257 Roberts	Short DIE-I-SH	8 DIESZRD10-08	257 DIESZR-E-10-257
6.5 x 55 Swedish, SKAN	Long DIE-I-L	25 DIESZRD10-25	264 DIESZR-E-10-264
270 Win	Long DIE-I-L	14 DIESZRD10-14	277 DIESZR-E-10-277
270 WSM	Long DIE-I-L	25 DIESZRD10-25	277 DIESZR-E-10-277
7mm-08	Short DIE-I-SH	25 DIESZRD10-25	284 DIESZR-E-10-284
7mm BR Rem	Short DIE-I-SH	26 DIESZRD10-26	284 DIESZR-E-10-284
7mm WSM	Long DIE-I-L	25 DIESZRD10-25	284 DIESZR-E-10-284
280 Rem	Long DIE-I-L	14 DIESZRD10-14	284 DIESZR-E-10-284
30-06	Short DIE-I-SH	14 DIESZRD10-14	308 DIESZR-E-10-308
300 Win Mag	Long DIE-I-L	14 DIESZRD10-14	308 DIESZR-E-10-308
300 WSM	Long DIE-I-L	25 DIESZRD10-25	308 DIESZR-E-10-308
308 Win	Long DIE-I-L	25 DIESZRD10-25	308 DIESZR-E-10-308
338 Win Mag	Long DIE-I-L	14 DIESZRD10-14	338 DIESZR-E-10-338

Decapping Unit, Exploded View: Part Name/Part Number



310 East Lanark Avenue
Lanark, Illinois 61046
P: 815-493-6360 • F: 815-493-2371
forsterproducts.com

WARRANTY

All Forster Products are warranted against defects in materials and workmanship for the life of the product. Parts excluded from the warranty are those that, by nature of their function, are subject to normal wear (such as springs, pins, etc.) or that have been altered, abused, or neglected. If the product is deemed defective by workmanship or materials, it will be repaired, reconditioned or replaced (at Forster's option). This warranty supersedes all other warranties for Forster Products, whether written or oral.

ISO 9001: 2015 accredited

RP-001 Issue 1, August 2017