

# Forster Bench Rest® Full Length Sizing Dies



## Full Length Sizers – Forster Products Part Numbers

Caliber/Cartridge	Full Length Sizing Die	Die Set (Full Length Sizer & Seater )
17 Rem	005091	004011
204 Ruger	004271	004021
22 BR	018101	004051
22 Hornet	007941	004041
22 Nosler	005231	004065
22 PPC	005131	004061
22-250 Rem	005221	004141
220 Swift	005211	004131
221 Fireball	005141	004071
222 Rem	005161	004081
222 Rem Mag	005171	004091
223 Rem	005181	004101
223 WSSM	005198	004111
224 Valkyrie	005185	004105
224 Wby Mag	005191	006921
5.6x50 Rimmed	005201	004121
240 Wby Mag	005241	006931
243 Win	005251	004171
243 WSSM	005261	004175
6mmx45 (6x223 Rem)	005295	004265
6x47 Lapua	005265	004176
6mm BR	018121	004181
6 Creedmoor	005275	004177
6mm Dasher	005266	004186
6mm PPC	005271	004191
6mm Rem (244)	005281	004201
6mm XC	005291	004261
25-06 Rem	005301	004221
25 WSSM	005321	004211
257 Ackley (40°)	023711	022431
257 Roberts	005331	004241
257 Wby Mag	005341	007071
26 Nosler	005335	004250
260 Rem (6.5-08)	005345	004251
6.5-284	005371	004281
6.5x47 Lapua	005346	004255
6.5 Creedmoor	005348	004253
6.5 Grendel	005347	004256
6.5 PRC	005349	004254
6.5x57 Mauser	005381	004291
6.5x55 Swedish	005401	004311
6.5x55 SKAN	005621	004612
6.8 SPC	005391	004622
270 Wby Mag	005431	007161
270 Win	005421	004331
270 WSM	005411	004321
7x57 Mauser	005471	004381
7x64 Brenneke	007971	004351
7mm-08	007981	004361
7mm BR Rem	018231	018211
7mm Rem Mag	005491	004401
7mm Rem Ultra Mag	005515	004415
7mm Rem SA Ultra Mag	005518	004418
7mm STW	005521	004341
7mm Wby Mag	005501	007231
7mm WSM	005520	004420
28 Nosler	005525	004222



**Bench Rest Full Length Sizing Die**

## Full Length Sizers – Part Numbers (continued)

Caliber/Cartridge	Full Length Sizing Die	Die Set (Full Length Sizer & Seater )
280 Rem	005511	004421
284 Win	005531	004425
7.62x54 R	005481	004391
30-06	005611	004521
30-30 Win	005541	004451
30-378 Wby Mag	005681	007381
300 AAC Blackout	005545	004453
300 Norma Mag	005548	004455
300 PRC	005549	004456
300 Rem Ultra Mag	005551	004461
300 Rem SA Ultra Mag	005565	004465
300 Wby Mag	005631	007361
300 Win Mag	005561	004471
300 WSM	005571	004481
303 British	005581	004491
308 Win	005591	004501
308 National Match	018311	018331
308 Small Base	SIZER308SB	018335
325 WSM	005721	004531
8x57 Mauser	005651	004561
8x68S	023541	022291
338 Norma Mag	005665	004575
338 Win Mag	005671	004581
340 Wby Mag	005691	007371
338 Lapua Mag	005661	004571
375 H&H	005741	004651
375 Rem Ultra Mag	005731	004641

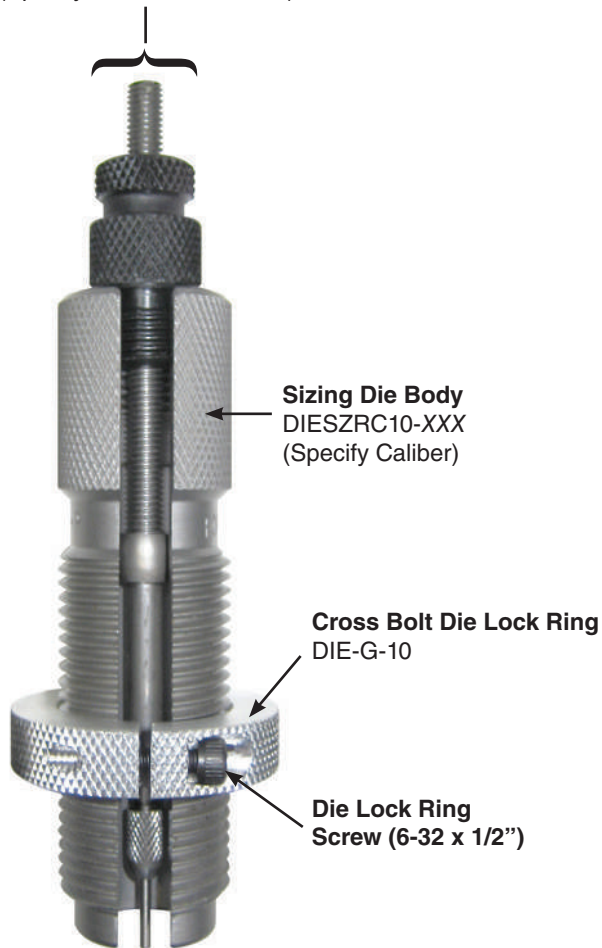


**Bench Rest Die Set**  
One Full Length Sizing Die  
Plus One Seater Die,  
Packaged in Deluxe Die Box

# Forster Bench Rest® Full Length Sizing Dies

## Decapping Unit

DIESZRDCUNXXX  
(Specify Caliber from Chart)



## Decapping Unit\* Complete Assemblies

Caliber/Cartridge	Decapping Unit Part No.
17 Rem	DIESZRDCUN17REM
204 Ruger	DIESZRDCUN204R
22 BR	DIESZRDCUN22BR
22 Hornet	DIESZRDCUN22HOR
22 Nosler	DIESZRDCUN22NOS
22 PPC	DIESZRDCUN22PPC
22-250 Rem	DIESZRDCUN22250
220 Swift	DIESZRDCUN220SW
221 Fireball	DIESZRDCUN221FB
222 Rem	DIESZRDCUN222R
222 Rem Mag	DIESZRDCUN222RM
223 Rem	DIESZRDCUN223R
223 WSSM	DIESZRDCUN223WSSM
224 Valkyrie	DIESZRDCUN224VAL
224 Wby Mag	DIESZRDCUN224WBYM
5.6 x 50 Rimmed	DIESZRDCUN5.6X50R
240 Wby Mag	DIESZRDCUN240WBYM
243 Win	DIESZRDCUN243WIN
243 WSSM	DIESZRDCUN243WSSM
6mm x 45 (6 x 223 Rem)	DIESZRDCUN6MMX45
6 x 47 Lapua	DIESZRDCUN6X47LAP
6mm BR	DIESZRDCUN6MMBRRM

## Decapping Unit Complete Assemblies (continued)

Caliber/Cartridge	Decapping Unit Part No.
6 Creedmoor	DIESZRDCUN6CRDMR
6mm Dasher	DIESZRDCUN6MMDASH
6mm PPC	DIESZRDCUN6MMPPC
6mm Rem (244)	DIESZRDCUN6MM244
6mm XC	DIESZRDCUN6MMXC
25 - 06 Rem	DIESZRDCUN25/06
25 WSSM	DIESZRDCUN25WSSM
257 Ackley (40°)	DIESZRDCUN257ACK
257 Roberts	DIESZRDCUN257ROB
257 Wby Mag	DIESZRDCUN257WBYM
26 Nosler	DIESZRDCUN26NOS
260 Rem (6.5-08)	DIESZRDCUN260REM
6.5-284	DIESZRDCUN6.5-284
6.5 x 47 Lapua	DIESZRDCUN6.5X47L
6.5 Creedmoor	DIESZRDCUN65CRDMR
6.5 Grendel	DIESZRDCUN6.5GREN
6.5 PRC	DIESZRDCUN6.5PRC
6.5 x 57 Mauser	DIESZRDCUN6.5X57M
6.5 x 55 Swed/SKAN	DIESZRDCUN6.5X55S
6.8 SPC	DIESZRDCUN6.8MMR
270 Wby Mag	DIESZRDCUN270WBYM
270 Win	DIESZRDCUN270WIN
270 WSM	DIESZRDCUN270WSM
7 x 57 Mauser	DIESZRDCUN7X57M
7 x 64 Brenneke	DIESZRDCUN7X64BR
7mm-08	DIESZRDCUN7MM-08
7mm BR Rem	DIESZRDCUN7MMBRR
7mm Rem Mag	DIESZRDCUN7MMREMM
7mm Rem Ultra Mag	DIESZRDCUN7MMRUM
7mm Rem SA Ultra Mag	DIESZRDCUN7RSHUM
7mm STW	DIESZRDCUN7MMSTW
7mm Wby Mag	DIESZRDCUN7MMWBYM
7mm WSM	DIESZRDCUN7MMWSM
28 Nosler	DIESZRDCUN28NOS
280 Rem	DIESZRDCUN280REM
284 Win	DIESZRDCUN284WIN
7.62 x 54 R	DIESZRDCUN7.62X54
30-06	DIESZRDCUN30-06
30-30 Win	DIESZRDCUN30-30W
30-378 Wby Mag	DIESZRDCUN30-378W
300 AAC Blackout	DIESZRDCUN300AACB
300 Norma Mag	DIESZRDCUN300NORM
300 PRC	DIESZRDCUN300PRC
300 Rem Ultra Mag	DIESZRDCUN300RUM
300 Rem SA Ultra Mag	DIESZRDCUN300RSUM
300 Wby Mag	DIESZRDCUN300WBYM
300 Win Mag	DIESZRDCUN300WINM
300 WSM	DIESZRDCUN300WSM
303 British	DIESZRDCUN303BRIT
308 Win (Nat'l Match, Small Base)	DIESZRDCUN308WIN
325 WSM	DIESZRDCUN325WSM
8 x 57 Mauser	DIESZRDCUN8X57M
8 x 68S	DIESZRDCUN8X68S
338 Norma Mag	DIESZRDCUN338NORM
338 Win Mag	DIESZRDCUN338WINM
340 Wby Mag	DIESZRDCUN340WBYM
338 Lapua Mag	DIESZRDCUN338LAPU
375 H & H	DIESZRDCUN375H&H
375 Rem Ultra Mag	DIESZRDCUN375RUM

\* This component also applies to traditional Neck Sizing Dies, according to caliber. Not interchangeable with the Decapping Unit for the Bushing Bump Neck Sizing Die.

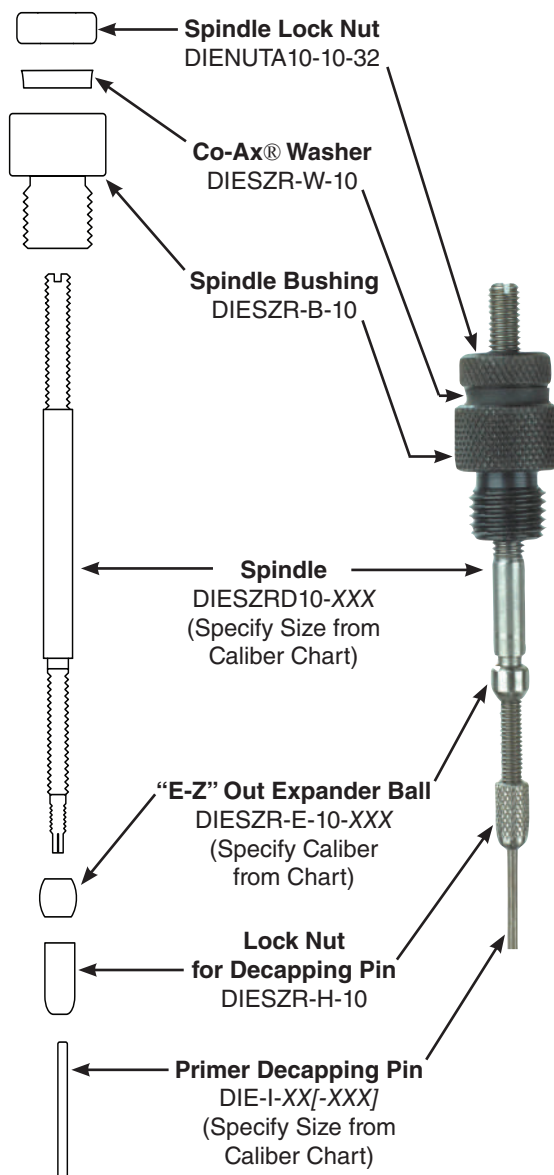
# Forster Bench Rest® Full Length Sizing Dies

## Decapping Unit Replacement Parts and Compatibility

Caliber/Cartridge	Decapping Pin (I)	Spindle (D-10)	Expander (E-10)
17 Rem	Short DIE-I-SH	17 Cal DIESZRD10-17CAL	17 none, integral to D-10
204 Ruger	Long DIE-I-L	4 DIESZRD10-04	204 DIESZR-E-10-204
22 BR	Long Spcl DIE-I-L-SPCL	1 DIESZRD10-01	224 DIESZR-E-10-224
22 Hornet	Short DIE-I-SH	1 DIESZRD10-01	224 DIESZR-E-10-224
22 Nosler	Long DIE-I-L	3 DIESZRD10-03	224 DIESZR-E-10-224
22 PPC	Long Spcl DIE-I-L-SPCL	1 DIESZRD10-01	224 DIESZR-E-10-224
22-250 Rem	Long DIE-I-L	4 DIESZRD10-04	224 DIESZR-E-10-224
220 Swift	Long DIE-I-L	8 DIESZRD10-08	224 DIESZR-E-10-224
221 Fireball	Long DIE-I-L	1 DIESZRD10-01	224 DIESZR-E-10-224
222 Rem	Short DIE-I-SH	3 DIESZRD10-03	224 DIESZR-E-10-224
222 Rem Mag	Long DIE-I-L	3 DIESZRD10-03	224 DIESZR-E-10-224
223 Rem	Long DIE-I-L	3 DIESZRD10-03	224 DIESZR-E-10-224
224 Valkyrie	Long DIE-I-L	1 DIESZRD10-01	224 DIESZR-E-10-224
223 WSSM	Long DIE-I-L	1 DIESZRD10-01	224 DIESZR-E-10-224
224 Wby Mag	Long DIE-I-L	4 DIESZRD10-04	224 DIESZR-E-10-224
5.6 x 50 Rimmed	Long DIE-I-L	4 DIESZRD10-04	224 DIESZR-E-10-224
240 Wby Mag	Short DIE-I-SH	24 DIESZRD10-24	243 DIESZR-E-10-243
243 Win	Long DIE-I-L	4 DIESZRD10-04	243 DIESZR-E-10-243
243 WSSM	Long DIE-I-L	1 DIESZRD10-01	243 DIESZR-E-10-243
6mm x 45 (6x223 Rem)	Long DIE-I-L	3 DIESZRD10-03	243 DIESZR-E-10-243
6 x 47 Lapua	Long Spcl DIE-I-L-SPCL	3 DIESZRD10-03	243 DIESZR-E-10-243
6mm BR	Long Spcl DIE-I-L-SPCL	1 DIESZRD10-01	243 DIESZR-E-10-243
6 Creedmoor	Long Spcl DIE-I-L-SPCL	5 DIESZRD10-05	243 DIESZR-E-10-243
6mm Dasher	Long Spcl DIE-I-L-SPCL	1 DIESZRD10-01	243 DIESZR-E-10-243
6mm PPC	Long Spcl DIE-I-L-SPCL	1 DIESZRD10-01	243 DIESZR-E-10-243
6mm Rem (244)	Short DIE-I-SH	8 DIESZRD10-08	243 DIESZR-E-10-243
6mm XC	Long DIE-I-L	3 DIESZRD10-03	243 DIESZR-E-10-243
25-06 Rem	Long DIE-I-L	8 DIESZRD10-08	257 DIESZR-E-10-257
25 WSSM	Short DIE-I-SH	1 DIESZRD10-01	257 DIESZR-E-10-257
257 Ackley (40°)	Long DIE-I-L	8 DIESZRD10-08	257 DIESZR-E-10-257

### Decapping Unit, Exploded View:

Part Name/Part Number



# Forster Bench Rest® Full Length Sizing Dies

## Decapping Unit Replacement Parts and Compatibility (cont'd from p. 3)

Caliber/Cartridge	Decapping Pin (I)	Spindle (D-10)	Expander (E-10)
257 Roberts	Short DIE-I-SH	8 DIESZRD10-08	257 DIESZR-E-10-257
257 Wby Mag	Long DIE-I-L	8 DIESZRD10-08	257 DIESZR-E-10-257
26 Nosler	Long DIE-I-L	12 DIESZRD10-12	264 DIESZR-E-10-264
260 Rem (6.5–08)	Long DIE-I-L	25 DIESZRD10-25	264 DIESZR-E-10-264
6.5–284	Long DIE-I-L	25 DIESZRD10-25	264 DIESZR-E-10-264
6.5 x 47 Lapua	Short Spcl DIE-I-SH-SPCL	25 DIESZRD10-25	264 DIESZR-E-10-264
6.5 Creedmoor	Long Spcl DIE-I-L-SPCL	16 DIESZRD10-16	264 DIESZR-E-10-264
6.5 Grendel	Long Spcl DIE-I-L-SPCL	26 DIESZRD10-26	264 DIESZR-E-10-264
6.5 PRC	Short DIE-I-SH	25 DIESZRD10-25	264 DIESZR-E-10-264
6.5 x 57 Mauser	Short DIE-I-SH	17 DIESZRD10-17	264 DIESZR-E-10-264
6.5 x 55 Swedish	Long DIE-I-L	25 DIESZRD10-25	264 DIESZR-E-10-264
6.5 x 55 SKAN	Long DIE-I-L	25 DIESZRD10-25	264 DIESZR-E-10-264
6.8 SPC	Short DIE-I-SH	16 DIESZRD10-16	277 DIESZR-E-10-277
270 Wby Mag	Short DIE-I-SH	14 DIESZRD10-14	277 DIESZR-E-10-277
270 Win	Long DIE-I-L	14 DIESZRD10-14	277 DIESZR-E-10-277
270 WSM	Long DIE-I-L	25 DIESZRD10-25	277 DIESZR-E-10-277
7 x 57 Mauser	Short DIE-I-SH	17 DIESZRD10-17	284 DIESZR-E-10-284
7 x 64 Brenneke	Short DIE-I-SH	14 DIESZRD10-14	284 DIESZR-E-10-284
7mm–08	Short DIE-I-SH	25 DIESZRD10-25	284 DIESZR-E-10-284
7mm BR Rem	Short DIE-I-SH	26 DIESZRD10-26	284 DIESZR-E-10-284
7mm Rem Mag	Long DIE-I-L	14 DIESZRD10-14	284 DIESZR-E-10-284
7mm Rem Ultra Mag	Long DIE-I-L	23 DIESZRD10-23	284 DIESZR-E-10-284
7mm Rem SA Ultra Mag	Long DIE-I-L	25 DIESZRD10-25	284 DIESZR-E-10-284
7mm STW	Long DIE-I-L	23 DIESZRD10-23	284 DIESZR-E-10-284
7mm Wby Mag	Short DIE-I-SH	14 DIESZRD10-14	284 DIESZR-E-10-284
7mm WSM	Long DIE-I-L	25 DIESZRD10-25	284 DIESZR-E-10-284
28 Nosler	Long DIE-I-L	12 DIESZRD10-12	284 DIESZR-E-10-284
280 Rem	Long DIE-I-L	14 DIESZRD10-14	284 DIESZR-E-10-284
284 Win	Long DIE-I-L	25 DIESZRD10-25	284 DIESZR-E-10-284

# Forster Bench Rest® Full Length Sizing Dies

## Decapping Unit Replacement Parts and Compatibility (cont'd from p. 4)

Caliber/Cartridge	Decapping Pin (I)	Spindle (D-10)	Expander (E-10)
7.62 x 54 R	Long DIE-I-L	25 DIESZRD10-25	308 DIESZR-E-10-308
30-06	Short DIE-I-SH	14 DIESZRD10-14	308 DIESZR-E-10-308
30-30 Win	Long DIE-I-L	16 DIESZRD10-16	308 DIESZR-E-10-308
30-378 Wby Mag	Short DIE-I-SH	23 DIESZRD10-23	308 DIESZR-E-10-308
300 AAC Blackout	Short DIE-I-SH	26 DIESZRD10-26	307 DIESZR-E-10-307
300 Norma Mag	Long DIE-I-L	17 DIESZRD10-17	308 DIESZR-E-10-308
300 PRC	Short DIE-I-SH	14 DIESZRD10-14	308 DIESZR-E-10-308
300 Rem Ultra Mag	Long DIE-I-L	23 DIESZRD10-23	308 DIESZR-E-10-308
300 Rem SA Ultra Mag	Long DIE-I-L	25 DIESZRD10-25	308 DIESZR-E-10-308
300 Wby Mag	Short DIE-I-SH	23 DIESZRD10-23	308 DIESZR-E-10-308
300 Win Mag	Long DIE-I-L	14 DIESZRD10-14	308 DIESZR-E-10-308
300 WSM	Long DIE-I-L	25 DIESZRD10-25	308 DIESZR-E-10-308
303 British	Long DIE-I-L	17 DIESZRD10-17	311 DIESZR-E-10-311
308 Win	Long DIE-I-L	25 DIESZRD10-25	308 DIESZR-E-10-308
308 National Match			
308 Small Base			
325 WSM	Long DIE-I-L	25 DIESZRD10-25	323 DIESZR-E-10-323
8 x 57 Mauser	Long DIE-I-L	17 DIESZRD10-17	323 DIESZR-E-10-323
8 x 68S	Long DIE-I-L	14 DIESZRD10-14	323 DIESZR-E-10-323
338 Norma Mag	Long DIE-I-L	17 DIESZRD10-17	338 DIESZR-E-10-338
338 Win Mag	Long DIE-I-L	14 DIESZRD10-14	338 DIESZR-E-10-338
340 Wby Mag	Long DIE-I-L	23 DIESZRD10-23	338 DIESZR-E-10-338
338 Lapua Mag	Long DIE-I-L	14 DIESZRD10-14	338 DIESZR-E-10-338
375 H & H	Short DIE-I-SH	23 DIESZRD10-23	375 DIESZR-E-10-375
375 Rem Ultra Mag	Long DIE-I-L	23 DIESZRD10-23	375 DIESZR-E-10-375



310 SE Lanark Avenue  
Lanark, Illinois 61046  
P: 815-493-6360 • F: 815-493-2371  
[forsterproducts.com](http://forsterproducts.com)

### WARRANTY

All Forster Products are warranted against defects in materials and workmanship for the life of the product. Parts excluded from the warranty are those that, by nature of their function, are subject to normal wear (such as springs, pins, etc.) or that have been altered, abused, or neglected. If the product is deemed defective by workmanship or materials, it will be repaired, reconditioned or replaced (at Forster's option). This warranty supersedes all other warranties for Forster Products, whether written or oral.

ISO 9001: 2015 accredited

RP-001 Issue 4, June 2020