

FORSTER PRODUCTS

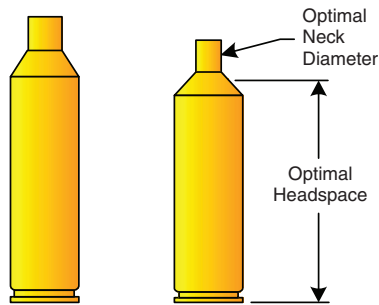
Bushing Bump Neck Sizing Die

Precise case neck and shoulder resizing in one easy step!

With one simple step, the **Bushing Bump Neck Sizing Die** allows you to resize your case neck's outside diameter and headspace length.

This neck reduction/bump shoulder operation keeps your case neck in better alignment with the case's center line.

Partial neck length resizing can assist in alignment, because the unsized section of the neck better aligns a previously fire-formed cartridge in the rifle chamber.



View exaggerated for clarity



Absolute precision for the world's most demanding shooter – YOU.

Developed with input from some of the world's most discriminating reloaders, Forster's exclusive design is unique. This Die is easy to adjust and use. Best of all, it prevents overworking the necks and allows you to control the amount of neck tension for your bullet seating operation.

Forster Products gives you choices

We've already "done the math!"

Order a **Bushing Bump Neck Sizing Die Kit** by caliber and we include three bushings most likely needed to produce accurate ammunition with proper neck/bullet tension. (See ordering chart on reverse.)

Prefer calling your own shots? Get exactly what you want.

If you are making cartridges for a tight-chambered rifle you may need smaller bushings. Alternatively, you may need larger bushings if you are not outside neck turning and are using Lapua or Norma cases with thick-neck walls. (See ordering chart.)

We offer you flexibility.

We manufacture over 90 bushing sizes (in .001" increments) which are available separately. Just order by inside diameter desired. For example, order number BUSH-230 is a bushing with an inside dimension of .230" (See our Web site for details.)



Straight shooters.

Improves accuracy and extends case life

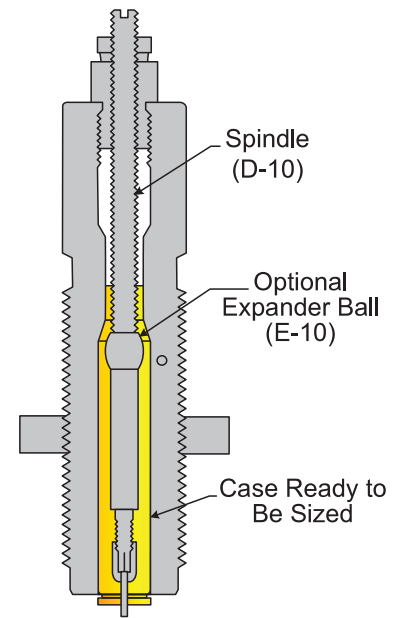
Forster Products' **Bushing Bump Neck Sizing Die** and its bushings enable brass to be sized with a minimum of working... with just the right amount of neck tension.

When you order the Bushing Bump Neck Sizing Die Kit you get:

- A top-quality, hand-polished Forster Die to match the caliber of your gun. It's compatible with any standard 7/8–14 thread reloading press.
- Three pre-selected, standard-size bushings, machined to a “smooth as silk” interior finish.

Caliber	Bushing Bump Neck Sizing Die Kit (Die with 3 Pre-selected Bushings)		Bushing Bump Neck Sizing Die Only Order Number
	Order Number	Bushing Sizes*	
204 Ruger	BBK2101	.228, .226, .224	BBD3101
22 Nosler	BBK2111	.251, .249, .247	BBD3111
22-250 Rem (22 Varminter)	BBK2191	.251, .249, .247	BBD3191
223 Rem	BBK2141	.247, .245, .243	BBD3141
223 WSSM	BBK2171	.266, .264, .262	BBD3171
243 Win	BBK2221	.272, .270, .268	BBD3221
243 WSSM	BBK2241	.284, .282, .280	BBD3241
6 x 47 Lapua	BBK2251	.270, .268, .266	BBD3251
6MM BR	BBK2301	.268, .266, .264	BBD3301
6 Creedmoor	BBK2331	.274, .272, .270	BBD3281
6MM PPC	BBK2351	.260, .258, .256	BBD3351
25-06 Rem	BBK2861	.284, .282, .280	BBD3861
25 WSSM	BBK2401	.298, .296, .294	BBD3401
26 Nosler	BBK2411	.292, .290, .288	BBD3411
260 Rem (6.5 - 08)	BBK2131	.292, .290, .288	BBD3131
6.5 - 284	BBK2410	.293, .291, .289	BBD3410
6.5 x 47 Lapua	BBK2261	.291, .289, .287	BBD3261
6.5 Creedmoor	BBK2271	.292, .290, .288	BBD3271
6.5 x 55 Swedish	BBK2420	.293, .291, .289	BBD3420
6.8 SPC	BBK2480	.302, .300, .298	BBD3480
270 Win	BBK2501	.303, .301, .299	BBD3501
7mm-08	BBK2541	.308, .306, .304	BBD3541
7mm Rem Mag	BBK2551	.308, .306, .304	BBD3551
28 Nosler	BBK2511	.315, .313, .311	BBD3511
284 Win	BBK2521	.312, .310, .308	BBD3521
30-06	BBK2851	.334, .332, .330	BBD3851
300 Win Mag	BBK2651	.334, .332, .330	BBD3651
300 Win Short Mag (WSM)	BBK2701	.337, .335, .333	BBD3701
308 Win	BBK2751	.336, .334, .332	BBD3751

An Expander Ball (E-10) is not included; however, it may be ordered separately to fit on your **Bushing Bump Neck Sizing Die's** Spindle (D-10). Call for details.



*Inside diameter in inches.

How to Purchase

Forster Products manufactures a broad line of precision gunsmithing and reloading products. For best prices, contact one of our Forster Products Distributors. Their experience is an integral part of the shooting sports. To find your closest Distributor, please go to our Web site.

If your Distributor cannot supply you, contact us at **815-493-6360** or forsterproducts.com

For complete User Instructions, go to RESOURCES on our Web site.

Forster Products
 310 East Lanark Avenue
 Lanark, Illinois 61046
 P: 815-493-6360
 F: 815-493-2371
forsterproducts.com
 BUMP-001 Issue 7, July 2018

WARRANTY

All Forster Products are warranted against defects in materials and workmanship for the life of the product. Parts which, by nature of their function, are subject to normal wear (such as springs, pins, etc.) and parts which have been altered, abused or neglected, are excluded from the warranty. If the product is deemed defective by workmanship or materials, it will be repaired, reconditioned or replaced (at Forster's option). This warranty supersedes all other warranties for Forster Products whether written or oral.

ISO 9001: 2015 accredited